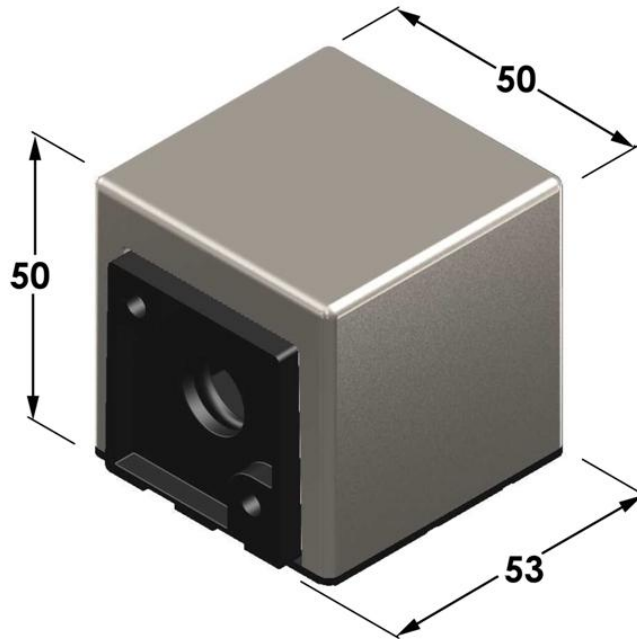


CUBID



LIGHT SIZE	SMALL
FIXTURE TYPE	WALL
LIGHT COLOUR	WARM WHITE
LIGHT ANGLE (°)	84
OPTIMUM RANGE (M)	1
LUX	6
LIGHT TEMPERATURE (K)	3000
CRI (Colour Rendering Index)	85
IP CLASS	67
EXTERNAL TEMP. (IN OPERATION) (°C)	<50
VOLTAGE	12V AC
COMMUNICATED CONSUMPTION (W)	0,5
EFFECTIVE CONSUMPTION (W)	0,55
DRIVE-OVER (when installed)?	N
EST'D. LIGHT SOURCE LIFETIME (hours)	50000
WHEN USED 4 HOURS/DAY (in years)	34,25